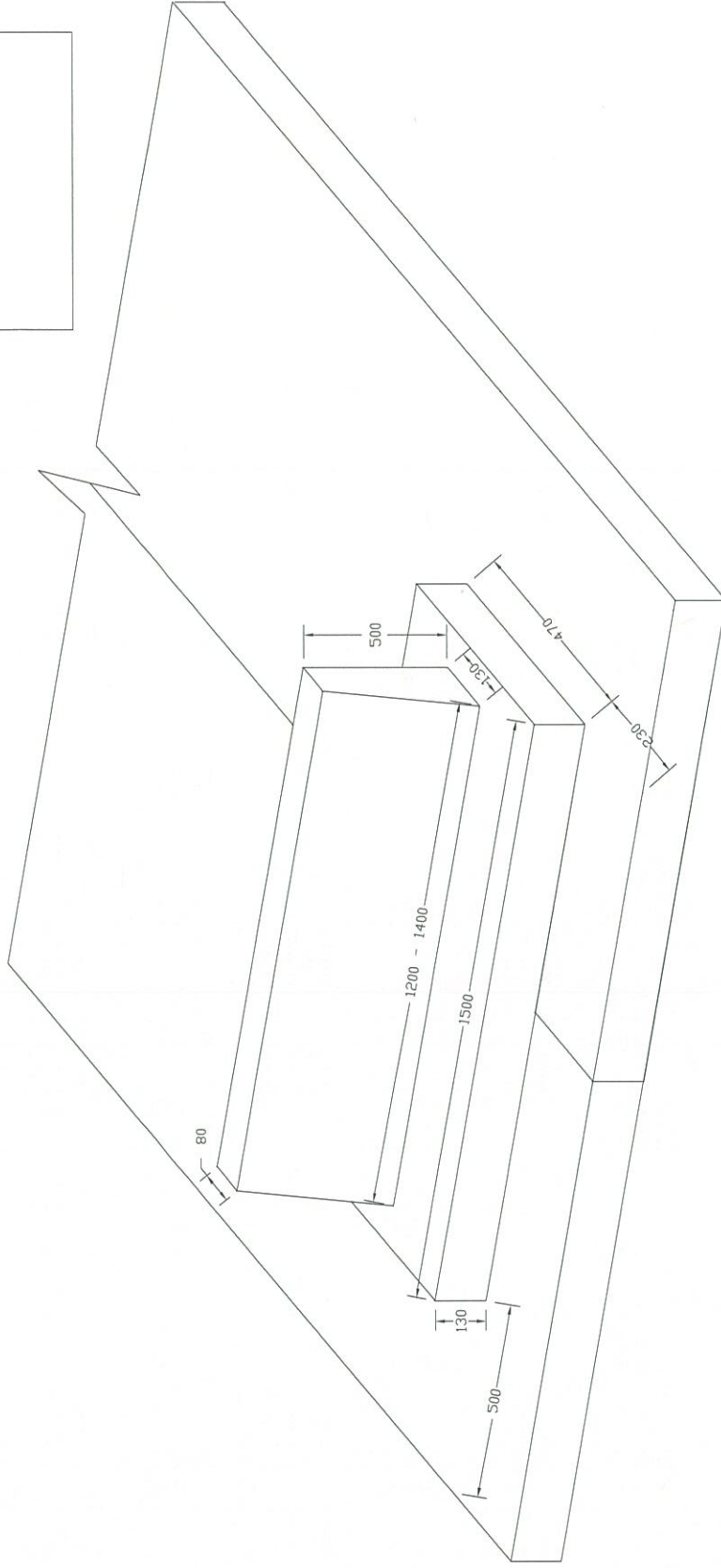


**Narrormine Shire Council**  
**Narrormine Lawn Cemetery Double**  
**Headstone Specification**

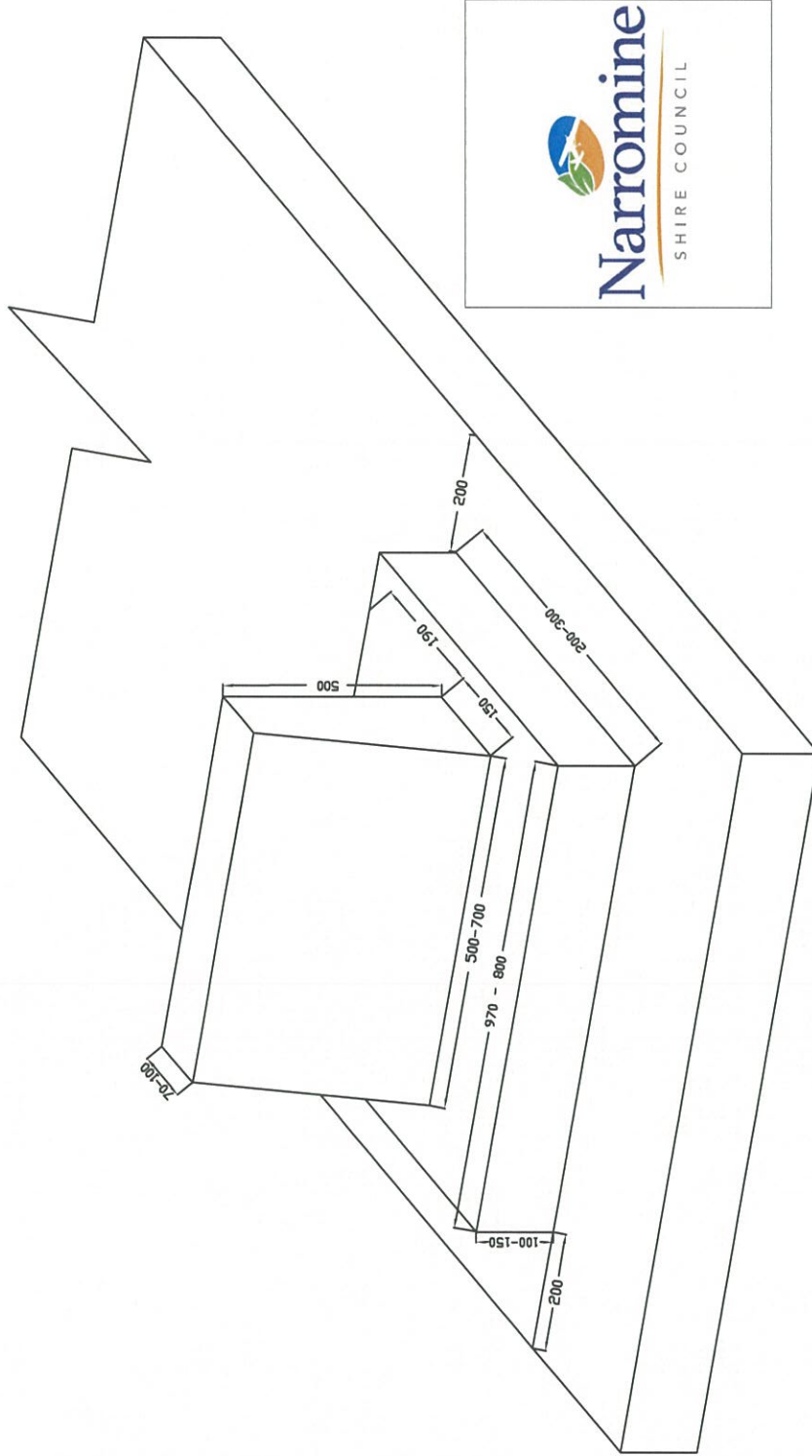


**Notes:**

1. Application form & fee must be received prior to any monumental work commencing
2. All measurements are in millimeters & are maximum allowable
3. Face of headstone maybe flat or sloping
4. Drawing is *Not to Scale*

Version No.	Version Date
1	15/10//2009
2	10/02//2015

**Narrormine Shire Council**  
**Narrormine Lawn Cemetery Single**  
**Headstone Specification**

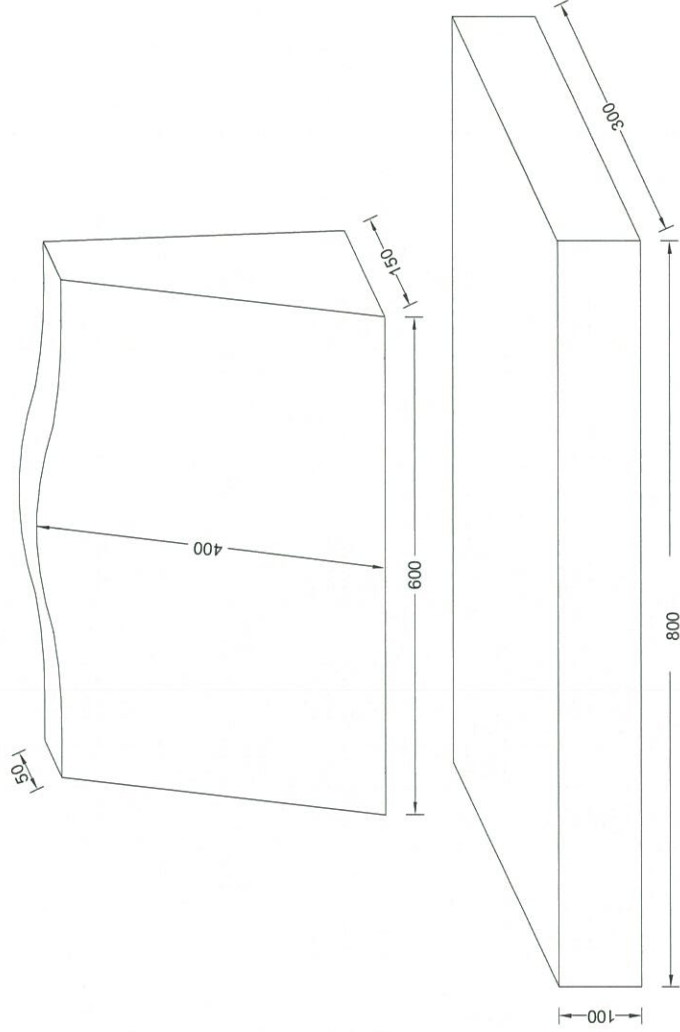


**Notes:**

1. Application form & fee must be received prior to any monumental work commencing
2. All measurements are in millimeters & are maximum allowable
3. Face of headstone maybe flat or sloping
4. Drawing is *Not to Scale*

Version No.	Version Date
1	11/08//2010
2	10/02//2015

**Narramine Shire Council**  
**Trangie Lawn Cemetery & New Narraming Non-Denominational Section**  
**Headstone Specification**



**Notes:**

1. Application form & fee must be received prior to any monumental work commencing
2. All measurements are in millimeters & are maximum allowable
3. Face of headstone maybe flat or sloping
4. Drawing is *Not to Scale*

Version No.	Version Date
1	11/08//2010
2	10/02//2015